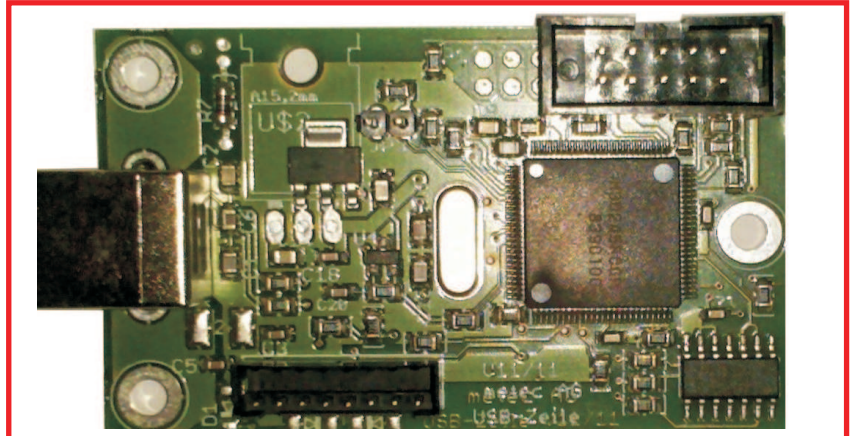
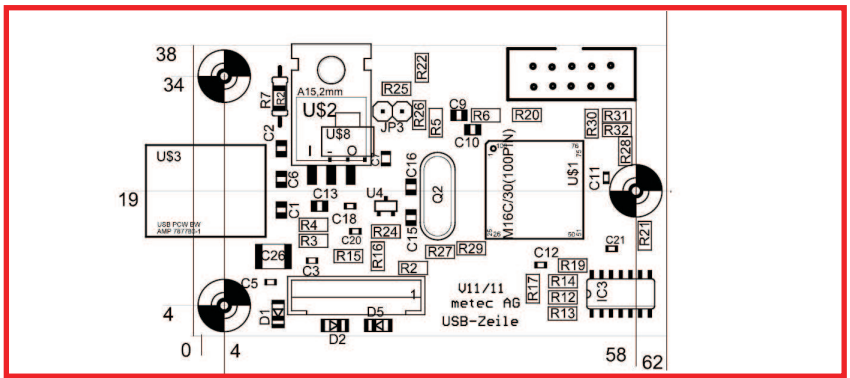


USB- Controller small



Dimensions



Description

The USB Interface connects a PC with a Braille Line assembled with metec Braille Modules. For Flat20 Braille Line or B11,B12, P16 Braille Lines with separate 200V power supply
It fed through the 5V of the USB to the Braille Modules.
At the PC side is a driver for 32 Bit (Win98...Windows 7) and 64Bit Windows 7 available.
The application communicate with the device over the metecBD.dll (described in "USB Software" datasheet).

Installing the Driver Data

The Driver is requested from windows when the BD is connected the first time. The drivers are digitally signed and can be installed with the normal Windows dialog.

Dimensions: 62 x 38 x 15mm (plus Connector for the Cursorkeys)
USB: USB 2.0 Full Speed Connector Typ B
Power: Input: 5V +-5% max. 100mA from USB
Output for the Braille-line (max. 80 Cells)
5V +-5% max. 50mA
Connector to Braille Display:
Hirose DF3A-8P-2DSA 2mm pitch
Connector to Cursorkeys:
10 or 16 Pin Standard RM 2,54 IDC

USB Electronic

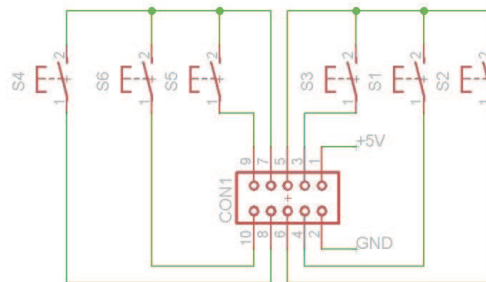
USB Function Pinning

There are Two different versions for connecting the Cursorkeys.

The Keys are always connected to the 3,3V Pins.
Do not connect the +5V Pin. The Devices are identified by their USB Device String.

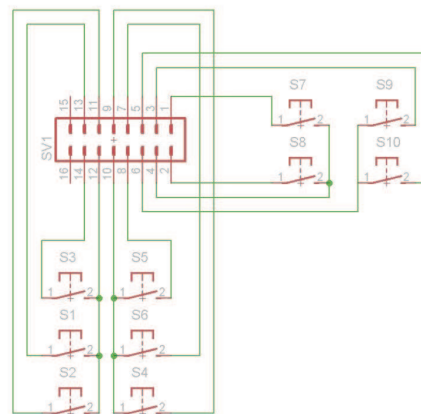
6 Key Version

Device String: "Device: <6Key>....."



10 Key Version

Device String: "Device: <10Key>....."



Braille Line Connector

